



N. C. SHAH & CO.

a leader in fixing solution

"Introducing Modern Products for perfect fixing and faster execution at cost advantage".

N. C. SHAH & CO.

is an organization well experienced dependable and technically very sound. We are one of the leading suppliers of various types of Bolts, Nuts, Fasteners and other Hardware products, to reputed construction companies, govt. organizations and projects all over Gujarat.

We maintain huge stocks and hence can meet tight delivery schedules. Galvanizing and Testing as per various IS and ASTM standards can also be arranged on demand.

Making non standard items as per drawings and samples is also possible. We deal in one of the widest range of Anchors. We can help select the right type of Fastener for your specific job, we can also design Fastener to suit your specialized requirement, as well as install the Fasteners on site if required.

We hope to associate with your esteemed organisation, Please let us have your valued requirements which will have our utmost and prompt attention.

We hope to have an everlasting and fruitful relationship with you.

Bipin Shah

Mihir Shah

*Contact us for
Fixing
Installation
Consultation
and
Demonstration*



9427700089

Excellent - Products reasonable Prices.

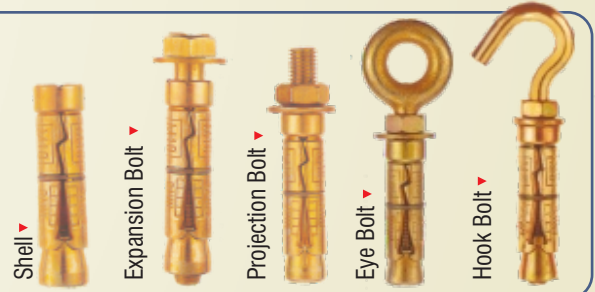
Three Leaf Expansion Bolt



For Heavy Duty Bolt Fixing Where Bolt need To Be Inserted After Positioning The Shield.

- For Installing Heavy Equipments, Machinery, Roller Shutter, Fire Door Etc.
- Securing Guy Ropes, Cable Trays & Structural Fixtures.
- Yellow Passivated • Also Available In S.S

Bolt Dia	Bolt Length mm.	Shield Length mm.	Hole dia. mm.	Min. Hole Depth mm.	Recm. torque for 30N/mm ² concrete Nm.	Safe Working load 30N/mm ² Concrete Kn	
						Tension	Shear
M6	50,60,65,80,100	45	12	50	6.5	3.3	2.1
M8	60,65,75,90,100,120,140	50	14	55	15	4.8	4.4
M10	75,90,100,120,140,150,160	60	16	65	27	6.2	6.1
M12	90,100,150,175,200,250	75	20	85	50	9.7	12.4
M16	120,140,150,170,180,200	112	25	125	120	21.3	27.6
M20	150,175,200,250	130	32	140	230	31.2	36.4
M24	200,250,300	150	38	160	400	38.0	50.0

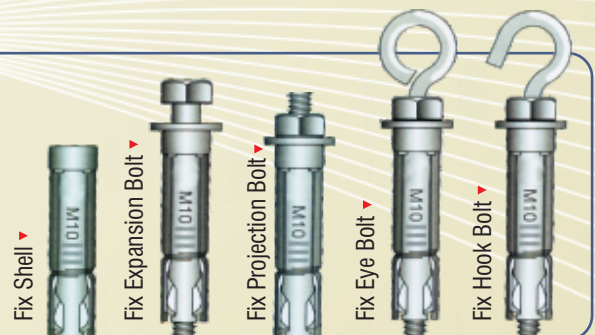


Four Part Fix Bolt

For Heavy Duty Bolt Fixing Where Bolt Need To Be Inserted After Positioning The Shield.

- Installing Lift Guides, Partitions, Structural Fixtures.
- Securing Cable Trays, Ducting & Trunking.

Bolt Dia	Bolt Length mm.	Shield Length mm.	Hole dia. mm.	Min. Hole Depth mm.	Recm. torque for 30N/mm ² concrete Nm.	Safe Working load 30N/mm ² Tension	
						Tension	Shear
M5	40,50	35	8	40	8	3.2	
M6	50,65,80,100	40	10	45	10	3.5	
M8	60,65,75,90,100,120,140	50	14	55	25	5.0	
M10	75,90,100,120,140,150,160	60	16	65	50	7.2	
M12	90,100,120,140,150,175	80	20	85	85	10.8	
M16	125,140,150,170,200	100	25	110	205	20.0	

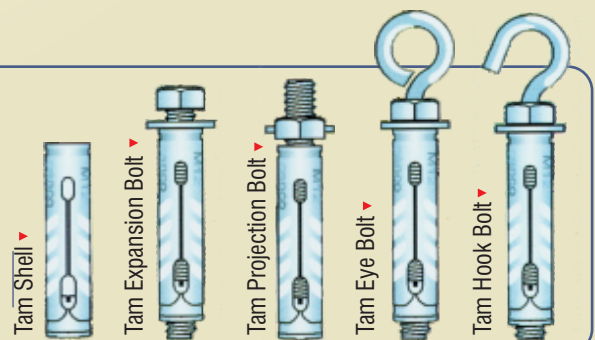


Tam Bolt

Usefull for Fast Installation.

- Installing heavy equipment, machinery, railings, barriers, roller shutter, pipes etc.
- Ideal For Stone Cladding Work.
- Yellow Passivated & Also Available In S.S.

Bolt Size	Hole dia. mm.	Min. Hole Depth mm.	Minimum Achorage mm.	Safe Working load 30N/mm ² Concrete Kn	
				Tension	Shear
M6	10	50	35	4	3.6
M8	12	60	45	5	4.5
M10	14	70	50	7	6.4
M12	16	85	60	11	13
M16	20	110	62	25	28
M20	24	130	77	35	39
M24	28	150	90	42	55



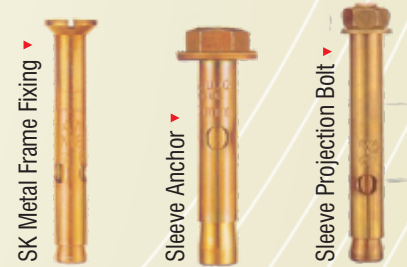
Sleeve Anchor



- Installing Trunking & Pipe Work.
- Securing Hand Rails And Other Metal Work.
- For All Type of Frame Fixing.
- Yellow Passivated & Also Available In S.S.

Bolt Dia	Bolt Length mm.	Shield Length mm.	Hole dia, mm.	Min. Hole Depth mm.	Recm. torque for 30N/mm ² concrete Nm.	Safe Working load 30N/mm ² Tension	Concrete Kn Shear
M6	50,65,90	35	50	8	6	2.2	2.3
M8	50,65,75,100	40	70	10	11	3.2	3.2
M10	75,100,125	50	80	12	22	4.1	5.2
M12	65,90,110,140,160	55	80	16	38	4.7	7.6
M16	50,75,100,150	60	90	20	85	6.1	14.3

BMT : Base Material Thickness



Thru Bolt

- Cladding Restraint Steel Work.
- Installation & Foundation of Heavy Machinery.
- Available With Single/Double Expander.
- Yellow/White Zinc Passivated & Also Available In S.S.

Bolt Dia	Bolt Length mm.	Hole dia. mm.		Min. Hole depth mm.		Recmd. Torque Nm.	Safe working load KN on 30mm Concrete	
		Fixtures	Base mat.	Standard	Reduced		Tension	Shield
M5	65, 80	9	8	55	40	15	1.8	1.5
M6	75,90	11	10	60	50	25	2.3	2.9
M8	75,90,120	13	12	80	60	45	3.1	4.5
M10	80, 110, 140	17	16	100	80	110	5.2	6.5
M12	140, 175	22	20	120	100	180	7.1	12.8
M16	110, 160, 220 120, 260, 300	28	24	135	120	320	13.4	20.5



Plastic Sleeve



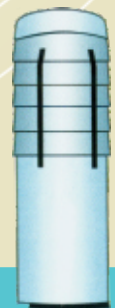
Zebra Anchor



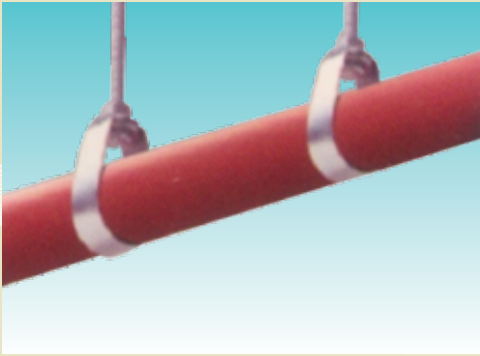
Frame Fixing



Threaded Shield



Given Technical Details are indicative guidelines, does not constitute any guarantee.



Sprinkler Hanger

Sprinkler hanger are one piece hangers to provide high permissible loads. The specially designed shape allows a lot of freedom in adjusting heights and the angle of support.

Nominal Pipe Size		Rod Size (mm)	Total Length	Safe Working load (kgs.)
mm	Inch			
25	1"	8/10	68	323 kg
32	1.1/4"	8/10	73	335 kg
40	1.1/2"	8/10	78	350 kg
50	2"	10	96	400 kg
65	2.1/2"	10	123	450 kg
80	3"	10	142	525 kg
100	4"	12	186	540 kg
150	6"	16	265	765 kg
200	8"	16	335	1175 kg



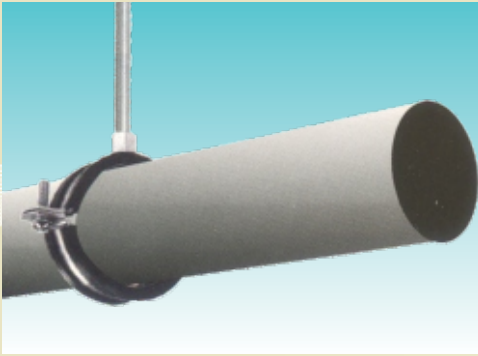
Slotted Channel

- Made from pre galvanized steel
- Available in various sizes & gauge.
- Adds a lot of convenience, for fast and decent installations.
- Ideal for flexibility and fast work.

LOAD CAPACITY DETAILS

Size	Gauge	Maximum Recommended length	Safe working Load
40X12	20 SWG	500 MM	32 KGS.
40X12	18 SWG	1000 MM	65 KGS.
40X12	16 SWG	1300 MM	90 KGS.
40X12	14 SWG	1600 MM	110 KGS.

Note : For shorter length of channel the load capacity increase significantly.



Split Clamp

EPDM rubber casing for smooth support The rubber makes an extra grip on the pipe. It also absorbs any vibrations and noise due to flow inside the pipes and does not let them pass to the nuts and bolts which do not become loose as a result.

Clamping Range (mm)	Size mm / inch	Hold on Nut (mm)	Safe working load (kgs.)
32-36	25 1"	10	400 kg
38-44	32 1/1-4	10	425 kg
47-51	40 1/1-2	10	465 kg
60-64	50 2"	10	480 kg
74-80	65 2/1-2	10	521 kg
87-92	80 3"	10	546 kg
113-118	100 4"	10	582 kg
160-167	150 6"	10	813 kg
215-220	200 8"	12	1300 kg



Full Threaded Rod

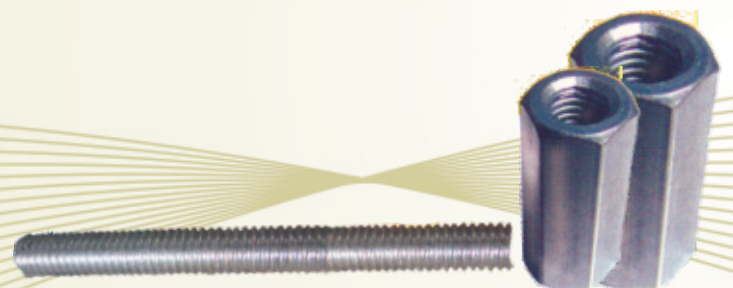
APPLICATIONS :

Supporting of

- Plumbing pipe.
- Electrical Lines.
- Fire fighting installations.

LOAD CARRAING CAPACITY

Dia size (mm)	Breaking Load (kg)	Safe working load
8	2458.20	819.40
10	3682.20	1227.40
12	4855.20	1618.40





Split Clamp

EPDM rubber casing for smooth support
The rubber makes an extra grip on the pipe.
It also absorbs any vibrations and noise due to flow inside the pipes and does not let them pass to the nuts and bolts which do not become loose as a result.



Clevis Hanger

Clevis hangers are two piece hangers designed to lend support to all sizes of pipes with very high permissible loads. The locking device allows pre mounting and easy repair and maintenance work.

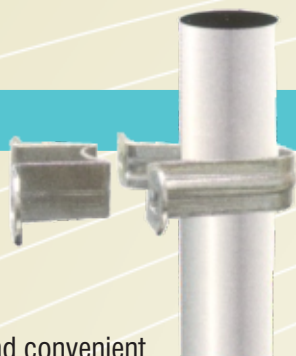
C. I. Collar Clamp

Although the collar clamps serve their purpose well in support to C. I. Pipes yet they are as much useful when applied in other pipe support. The collar clamp give a long lasting and tight support to C. I. Pipes.



Base U Clamp

Two piece clamp allows adjustment



Easy to instal and convenient

U Clamp

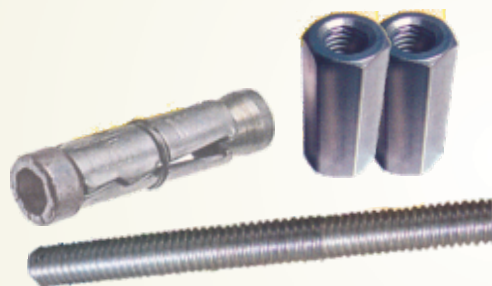
U clamps are very user friendly. These clamps have been designed to give fast and convenient installation a completely new meaning. The U clamps are very easily taken into any kind of installation program.



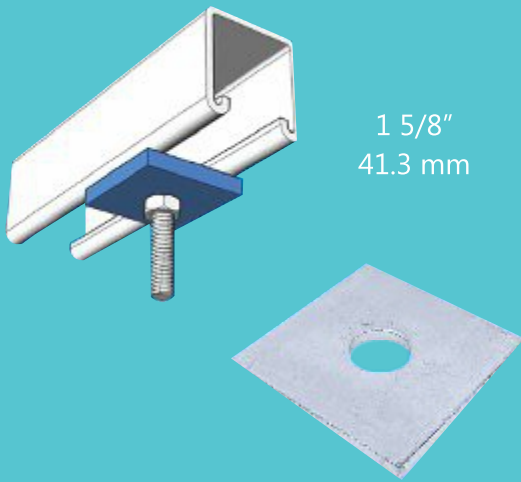
Sprinkler Hanger



Sprinkler hanger are on piece hangers to provide high permissible loads. The specially designed shape allows a lot of freedom in adjusting heights and the angle of support.



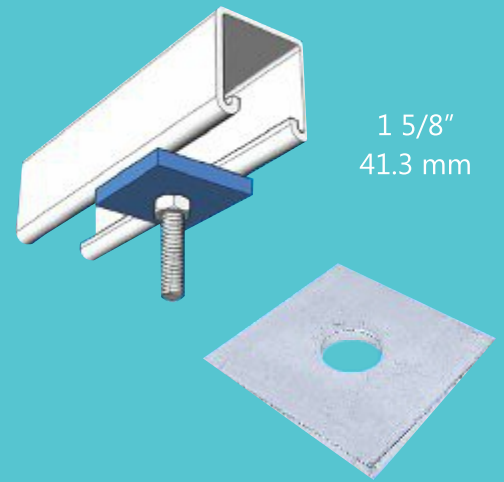
CHANNEL FLAT PLATE FITTING



1 5/8"
41.3 mm

SQUARE WASHER 3mm

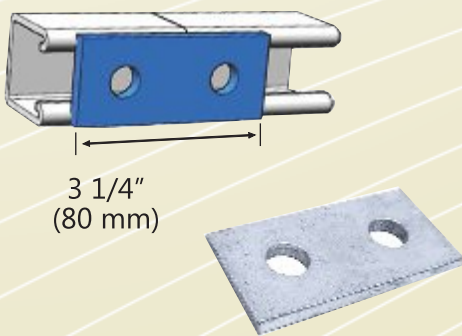
Part Numbers	Ref Part Numbers	Bolt Size	Hole Size	Weight/ 100 pcs
SQ 6	P 1062	M6mm	7mm	3.8kg
SQ 8	P 1063	M8mm	9mm	3.8kg
SQ 10	P 1064	M10mm	11mm	3.8kg
SQ 12	P 1964	M12mm	14mm	3.8kg



1 5/8"
41.3 mm

SQUARE WASHER 5mm

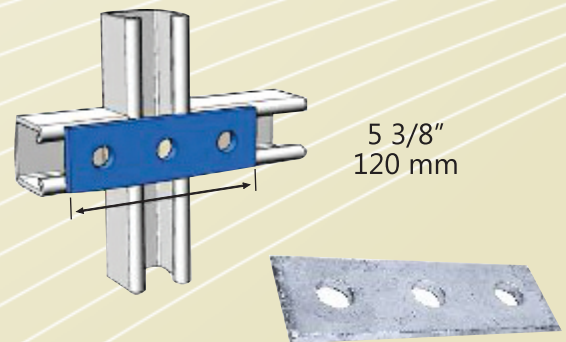
Part Numbers	Ref Part Numbers	Bolt Size	Hole Size	Weight/ 100 pcs
SSS 01/6	P 1062	M6mm	7mm	8.2kg
SSS 01/8	P 1063	M8mm	9mm	8.2kg
SSS 01/10	P 1064	M10mm	11mm	7.7kg
SSS 01/12	P 1964	M12mm	14mm	7.4kg
SSS 01/16	P2471	M16mm	18mm	6.8kg
SSS 01/20	P2490	M20mm	22mm	6.5kg



3 1/4"
(80 mm)

2-HOLE FLAT PLATE

Part Numbers	Ref Part Numbers	Weight/ 100 pcs
SSS 02	P 1065	12.56kg

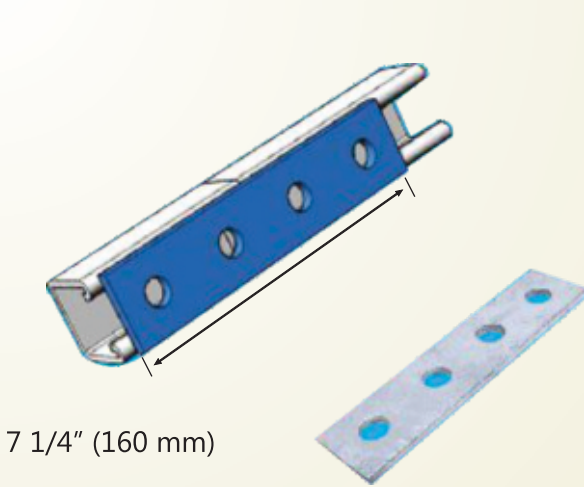


5 3/8"
120 mm

3 HOLE FLAT PLATE

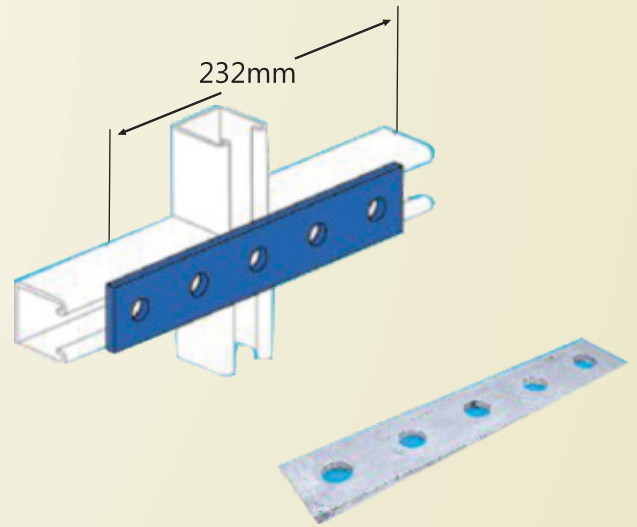
Part Numbers	Ref Part Numbers	Weight/ 100 pcs
SSS 03	P 1066	16.48kg

CHANNEL FLAT PLATE FITTING



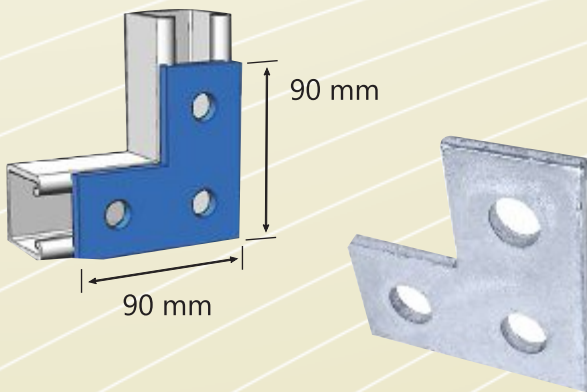
4 HOLE FLATPLATE

Part Numbers	Ref Part Numbers	Material Thickness	Weight/ 100 pcs
SSS 04	P 1067	5mm	25kg



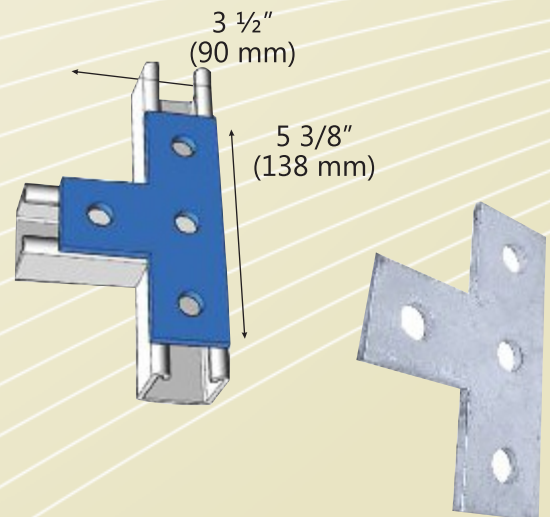
5 HOLE FLAT PLATE

Part Numbers	Ref Part Numbers	Material Thickness	Weight/ 100 pcs
SSS 05	P 1941	5mm	34kg



3 HOLE L BRACKET

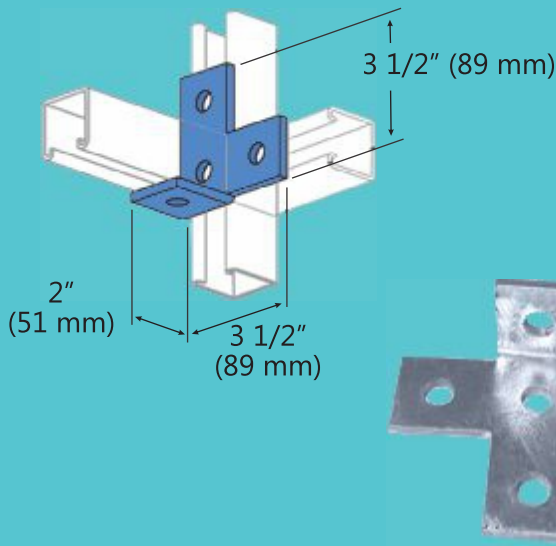
Part Numbers	Ref Part Numbers	Material Thickness	Weight/ 100 pcs
SSS 06	P 1036	5mm	21kg



4 HOLE T BRACKET

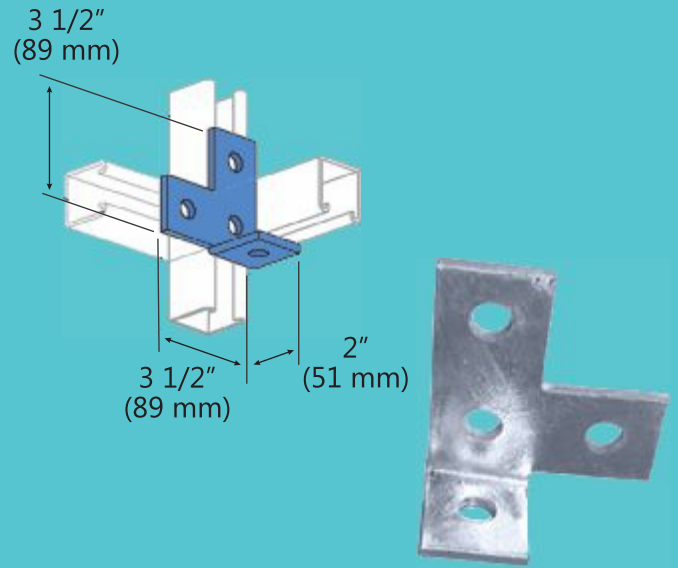
Part Numbers	Ref Part Numbers	Material Thickness	Weight/ 100 pcs
SSS 07	P 1031	5mm	29kg

ANGLE BRACKETS



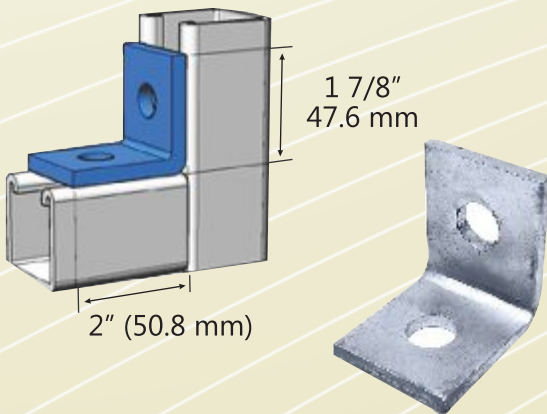
'T' BEND LEFT HAND

Part Numbers	Ref Part Numbers	Material Thickness	Weight/ 100 pcs
SSS 7L	P 1034	5mm	35kg



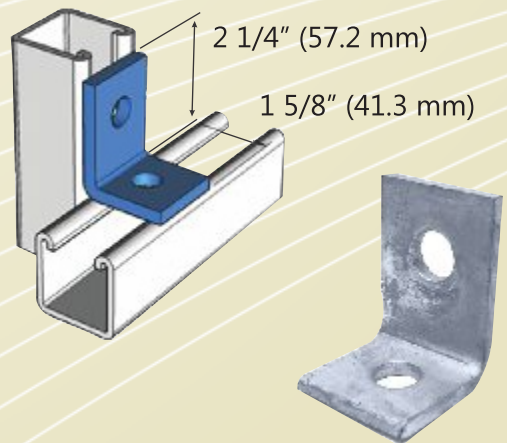
'T' BEND RIGHT HAND

Part Numbers	Ref Part Numbers	Material Thickness	Weight/ 100 pcs
SSS 7R	P 1035	5mm	35kg



2 HOLE ANGLE BRACKET

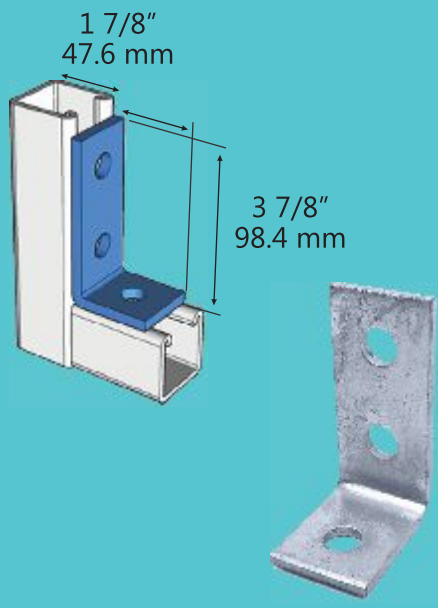
Part Numbers	Ref Part Numbers	Material Thickness	Weight/ 100 pcs
SSS 08	P 1026	5mm	134kg



2 HOLE ANGLE BRACKET

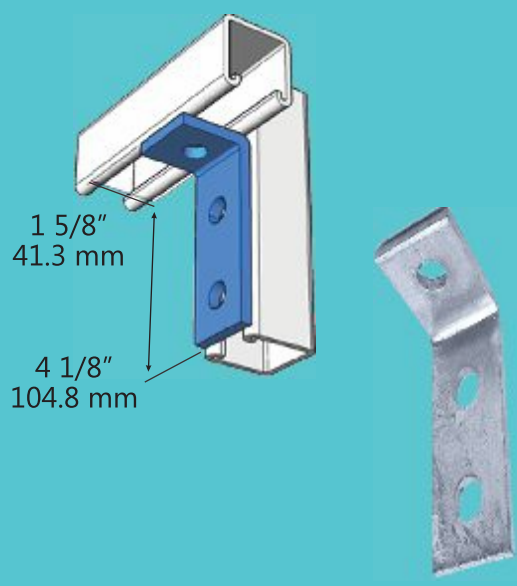
Part Numbers	Ref Part Numbers	Material Thickness	Weight/ 100 pcs
SSS 09	P 1068	5mm	139kg

ANGLE BRACKETS



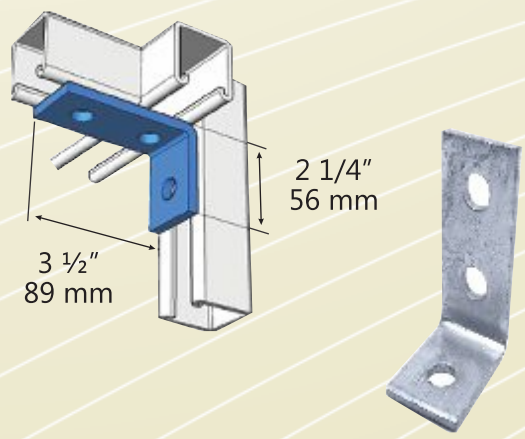
3 HOLE ANGLE BRACKET

Part Numbers	Ref Part Numbers	Material Thickness	Weight/ 100 pcs
SSS 10	P 1346	5mm	25kg



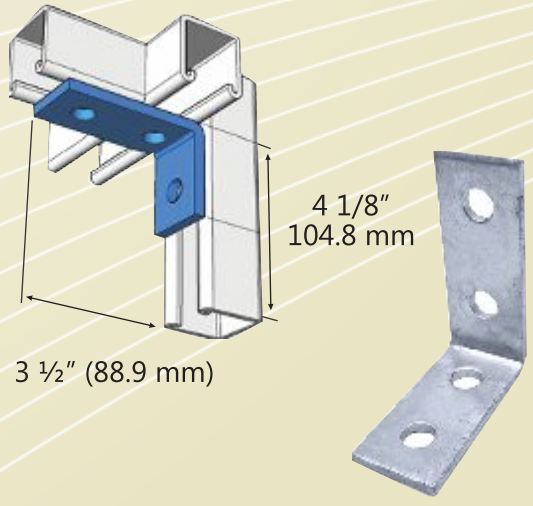
3 HOLE ANGLE BRACKET

Part Numbers	Ref Part Numbers	Material Thickness	Weight/ 100 pcs
SSS 11	P 1326	5mm	25kg



3 HOLE OFFSET BRACKET

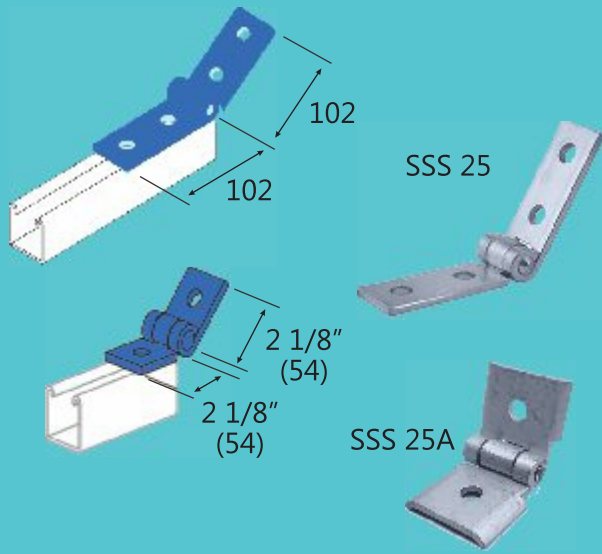
Part Numbers	Ref Part Numbers	Material Thickness	Weight/ 100 pcs
SSS 12	P 1458	5mm	25kg



4 HOLE ANGLE BRACKET

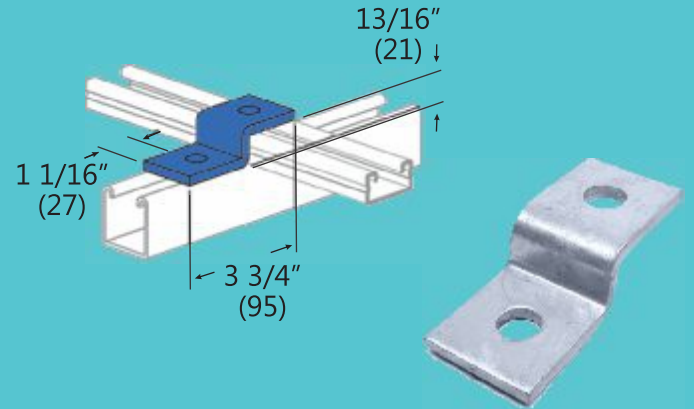
Part Numbers	Ref Part Numbers	Material Thickness	Weight/ 100 pcs
SSS 13	P 1325	5mm	29kg

ANGLE BRACKETS



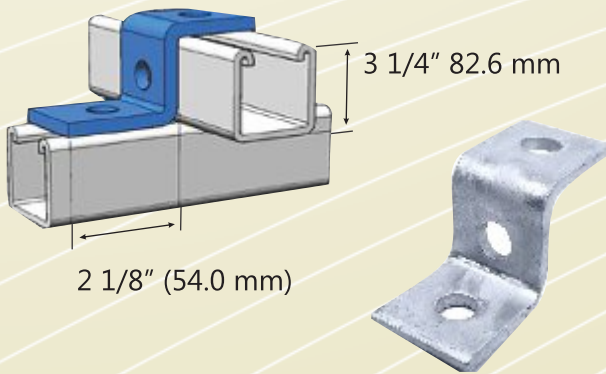
HIGED BRACKET

Part Numbers	Ref Part Numbers	Material Thickness	Weight/ 100 pcs
SSS 25	P 1354	5mm	54kg
SSS 25A	P 1843	5mm	32kg



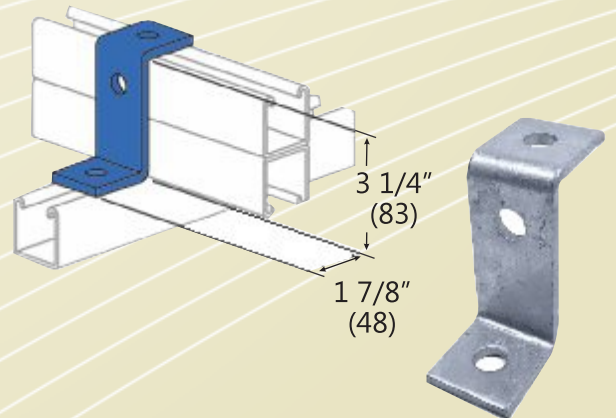
Z BRACKET 21 MM

Part Numbers	Ref Part Numbers	Material Thickness	Weight/ 100 pcs
SSS 26	P 4045	5mm	21kg



Z BRACKET 41 MM

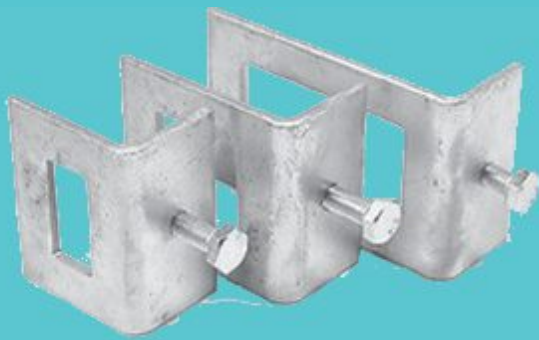
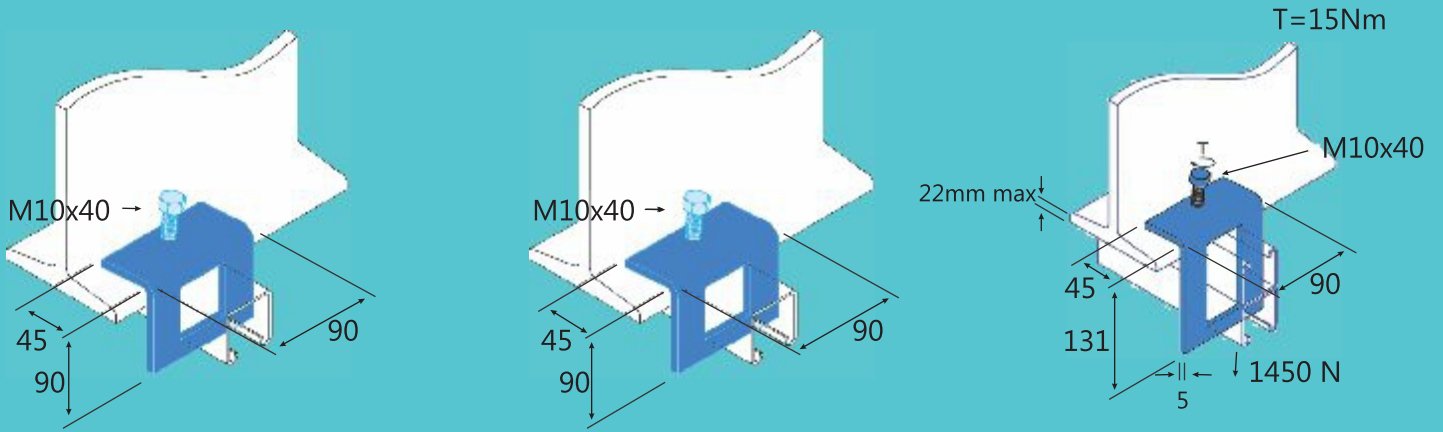
Part Numbers	Ref Part Numbers	Material Thickness	Weight/ 100 pcs
SSS 27	P 1045	5mm	23kg



Z BRACKET 82 MM

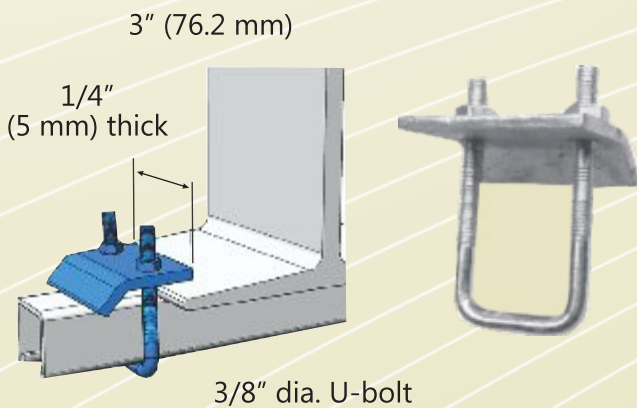
Part Numbers	Ref Part Numbers	Material Thickness	Weight/ 100 pcs
SSS 28	P 1453	5mm	31kg

ANGLE BRACKETS



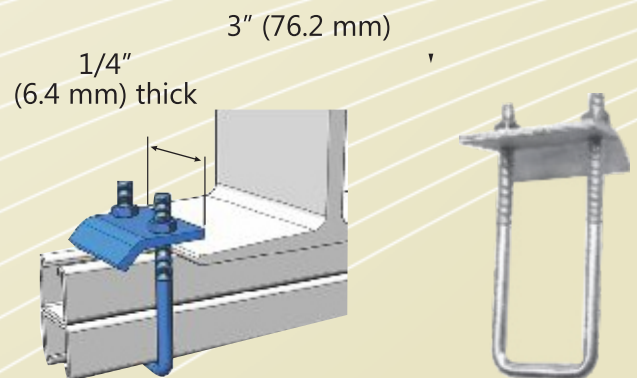
WINDOW BRACKET

Part Numbers	Ref Part Numbers	Material Thickness	Weight/ 100 pcs
SSS 44/21	P 1796A	5mm	35kg
SSS 44/41	P 1796	5mm	39kg
SSS 44/82	P 1796 B	5mm	45KG



U BOLT WITH CLAMP 21/41

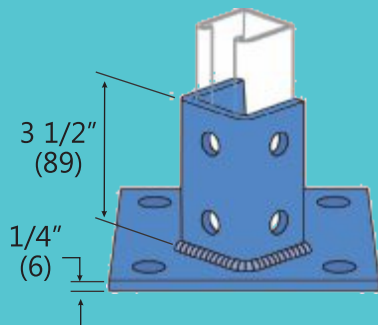
Part Numbers	Ref Part Numbers	Material Thickness	Weight/ 100 pcs
SSS 45/41	P 2785	5mm	39kg



U BOLT WITH CLAMP 62/83

Part Numbers	Ref Part Numbers	Material Thickness	Weight/ 100 pcs
SSS 45/82	P 2786	5mm	45kg

STRUT SUPPORT BRACKETS



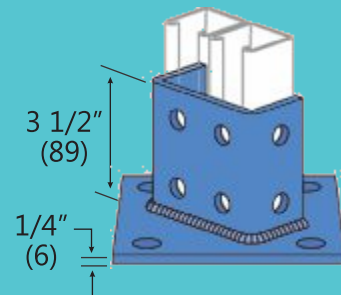
SSS 51



SSS 51 SQ

SINGLE CHANNEL POST BASE

Part Numbers	Ref Part Numbers	Material Thickness	Weight/ 100 pcs
SSS 51	P 2072 A	5mm	1700kg
SSS 51 SQ	P 2072 ASQ	5mm	1700kg



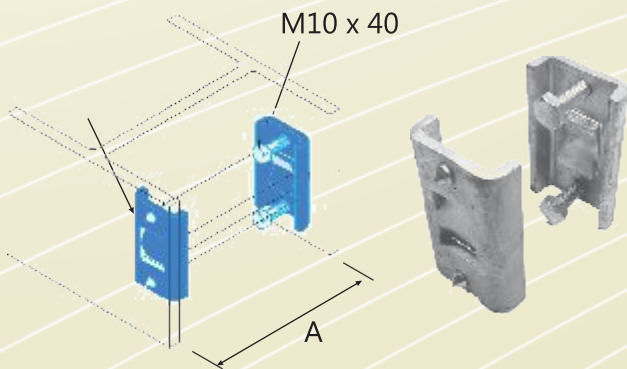
SSS 52



SSS 52 SQ

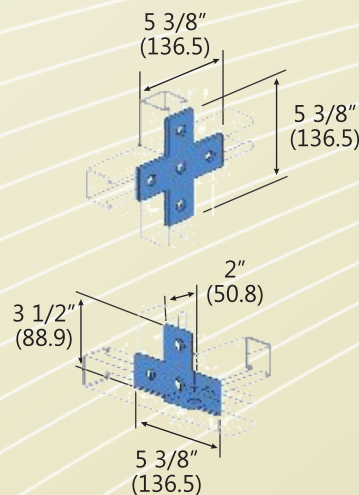
DOUBLE CHANNEL POST BASE

Part Numbers	Ref Part Numbers	Material Thickness	Weight/ 100 pcs
SSS 52	P 2073 A	5mm	2100kg
SSS 52 SQ	P 2073 ASQ	5mm	2100kg



GARDER CLAMPS

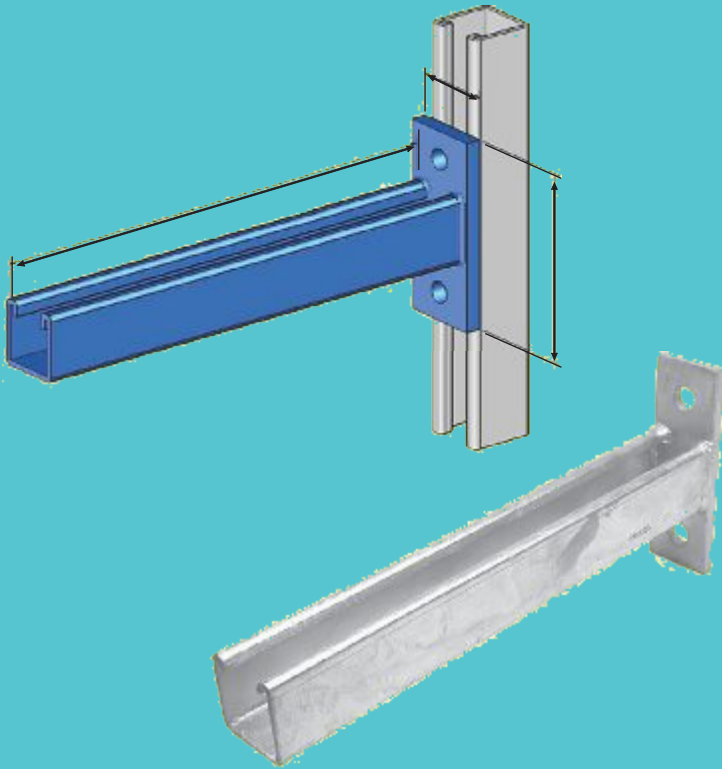
Part Numbers	Ref Part Numbers	Material Thickness	Weight/ 100 pcs
SSS 53	P 3087	5mm	54kg



CROSS FLAT PLATES

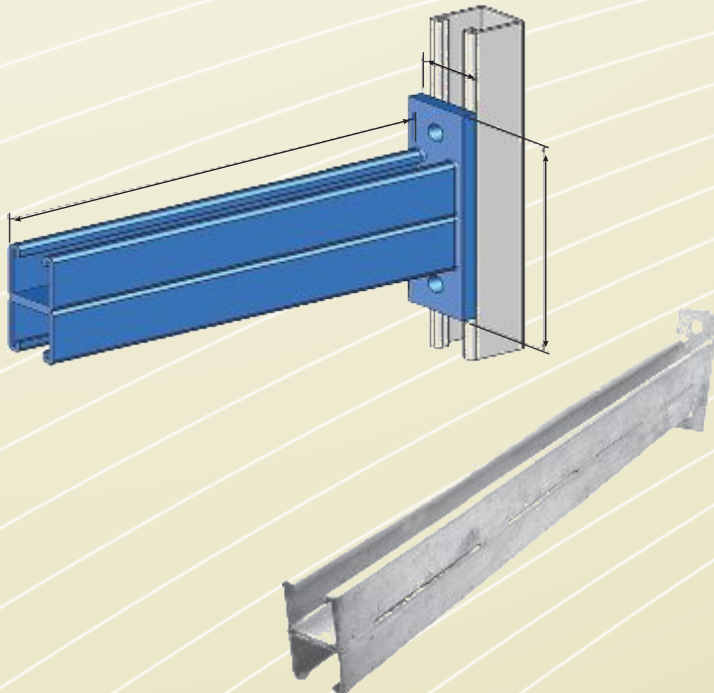
Part Numbers	Ref Part Numbers	Material Thickness	Weight/ 100 pcs
SSS 54	P 1028	5mm	47kg
SSS 54 L	P 1029	5mm	47kg

CANTILEVER ARMS



SINGLE CHANNEL CANTILEVER ARMS

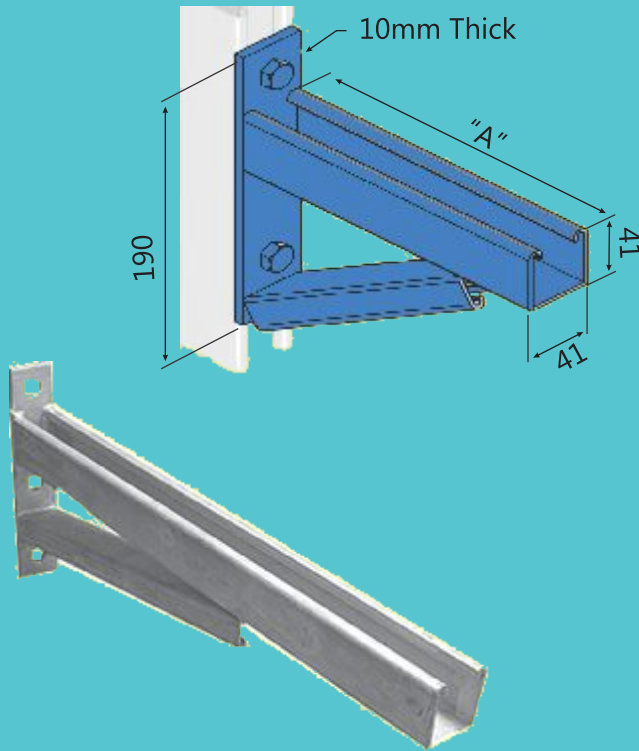
Part Numbers	Ref Part Numbers	MAX UDL (KG)	Weight/ 100 pcs
CA 150	P 2944	363	84
CA 300	P 2945	182	133
CA 450	P 2946	121	182
CA 600	P 2947	91	231
CA 750	P 2948	59	250
CA 900	P 2949	41	310
CA 1000	P 2950	35	350



CANTILEVER ARMS BACK TO BACK

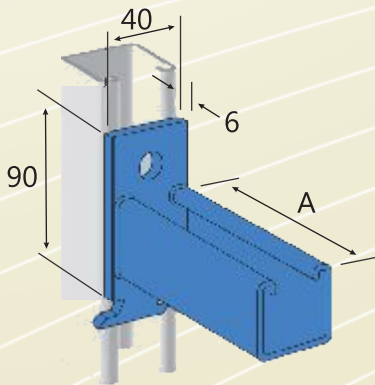
Part Numbers	Ref Part Numbers	MAX UDL (KG)	Weight/ 100 pcs
BCA 300	P 2542	398	227
BCA 450	P 2543	285	313
BCA 600	P 2544	221	400
BCA 750	P 2545	181	486
BCA 900	P 2546	153	572
BCA 1000	P 2547	133	650
BCA 1200	P 2548	117	721

CANTILEVER ARMS



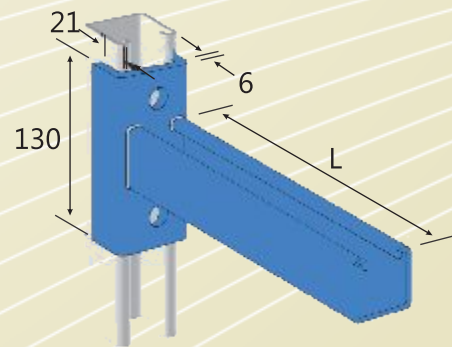
BRACED CANTILEVER ARMS

Item Code	Ref Code	Length	Weight
BCA 300	CB4-300	300mm	1.980kg
BCA 450	CB4-450	450mm	2.550kg
BCA 600	CB4-600	600mm	3.120kg
BCA 750	CB4-750	750mm	3.760kg
BCA 900	CB4-900	900mm	4.460kg
BCA 1000	CB4-1000	1000mm	5.120kg



CANTILEVER ARM WITH LOCK

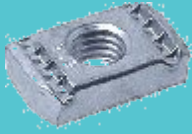
Item Code	Ref Code	Length	Weight
CAL 150	P 2513	150mm	0.730kg
CAL 300	P 2514	300mm	1.200kg
CAL 450	P 2515	450mm	1.640kg
CAL 600	P 2516	600mm	2.120kg



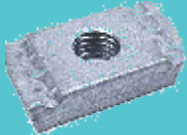
CANTILEVER ARM INTERLOCK

Item Code	Ref Code	Length	Weight
CAIL 450	P 2223	450mm	2.0kg
CAIL 600	P 2235	600mm	2.5kg

CHANNEL NUTS



Electroplated Zinc



Hot Dip Galvanized



Stainless Steel

CHANNEL NUTS WITHOUT SPRING

MM SIZE		INCH SIZE	
ITEM CODE	SIZE (MM) X (T)	ITEM CODE	SIZE (INCH) X (T)
CNP 6	M6 X 6MM	CNP 1/4"	1/4" X 1/4"
CNP 8	M8 X 6MM	CNP 5/16"	5/16" X 5/16"
CNP10	M10 X 8MM	CNP 5/16"A	5/16" X 3/8"
CNP12	M12 X 8MM	CNP 3/8"	3/8" X 3/8"
CNP 12 A	M12 X 9MM	CNP 1/2"	1/2" X 1/2"
CNP 16	M16 X 12MM	CNP 1/2 A	1/2" X 3/8"
		CNP 5/8	5/8" X 1/2"
		CNP 5/8 A	5/8" X 3/8"
		CNP 3/4	3/4" X 1/2"
		CNP 3/4 A	3/4" X 3/8"
		CNP 7/8	7/8" X 1/2"



Electroplated Zinc



Hot Dip Galvanized



Stainless Steel

CHANNEL NUT SHORT/CONICAL SPRING

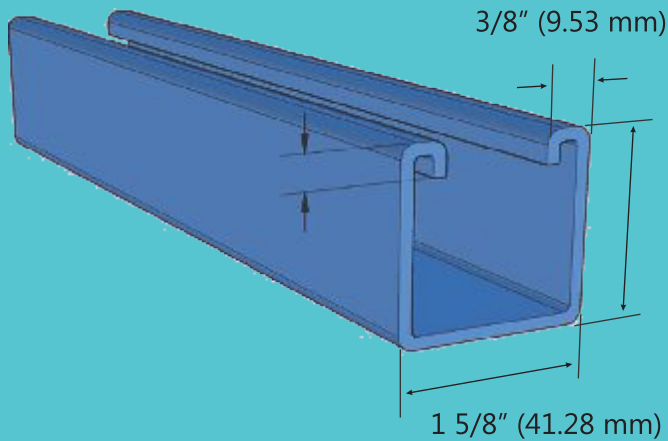
MM SIZE		INCH SIZE	
ITEM CODE	SIZE (MM) X (T)	ITEM CODE	SIZE (INCH) X (T)
CNS 6	M6 X 6MM	CNS 1/4"	1/4" X 1/4"
CNS 8	M8 X 6MM	CNS 5/16"	5/16" X 5/16"
CNS 10	M10 X 8MM	CNS 5/16"A	5/16" X 3/8"
CNS 12	M12 X 8MM	CNS 3/8"	3/8" X 3/8"
CNS 12 A	M12 X 9MM	CNS 1/2"	1/2" X 1/2"
CNS 16	M16 X 12MM	CNS 1/2 A	1/2" X 3/8"
		CNS 5/8	5/8" X 1/2"
		CNS 5/8 A	5/8" X 3/8"
		CNS 3/4	3/4" X 1/2"
		CNS 3/4 A	3/4" X 3/8"
		CNS 7/8	7/8" X 1/2"

STRUT CHANNELS

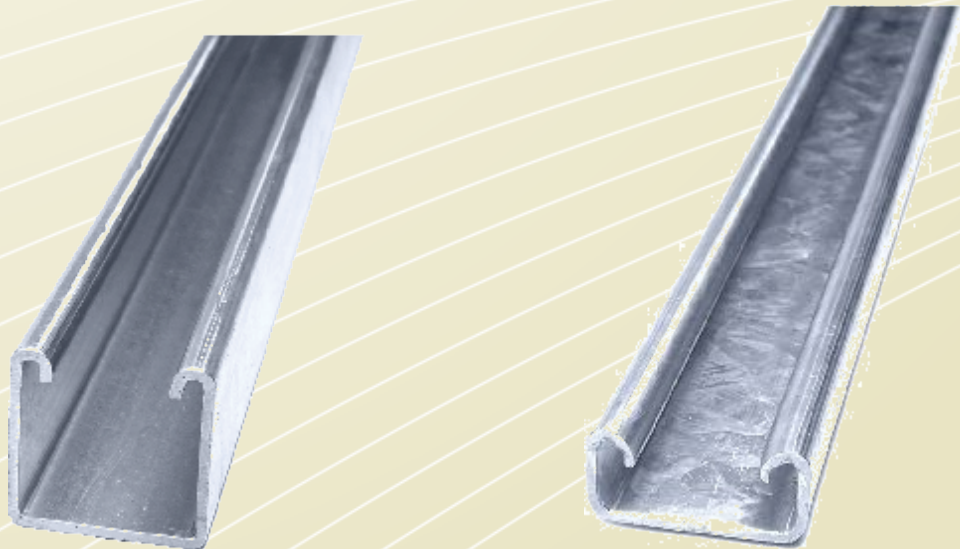
STRUT CHANNEL: SINGLE CHANNEL

We offers an extensive range of sizes, gauges and multiple combinations of strut channels. Each channel incorporates a continuous slot along the full length and inturned edges that allow infinite design possibilities and cost effective installations. Standard lengths are 10 feet (3 mtrs) and 20 feet (6 mtrs). Custom lengths are also available.

STRUT CHANNEL NON SLOTTED



Item Code	Height		Thikness	
	Inch	mm	ga	mm
SC41/2.5	1 5/8	41.28	12	2.5
SC41/2	1 5/8	41.28	14	2
SC41/1.5	1 5/8	41.28	16	1.5
SC21/2.5	13/16	21.28	12	2.5
SC21/2	13/16	21.28	14	2
SC21/1.5	13/16	21.28	16	1.5

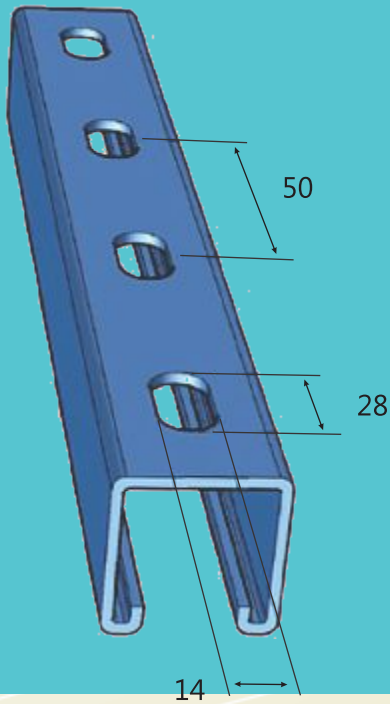


Custom Lengths: single channel strut can be cut to custom lengths at the factory.
Manufacture to BS6946

STRUT CHANNELS

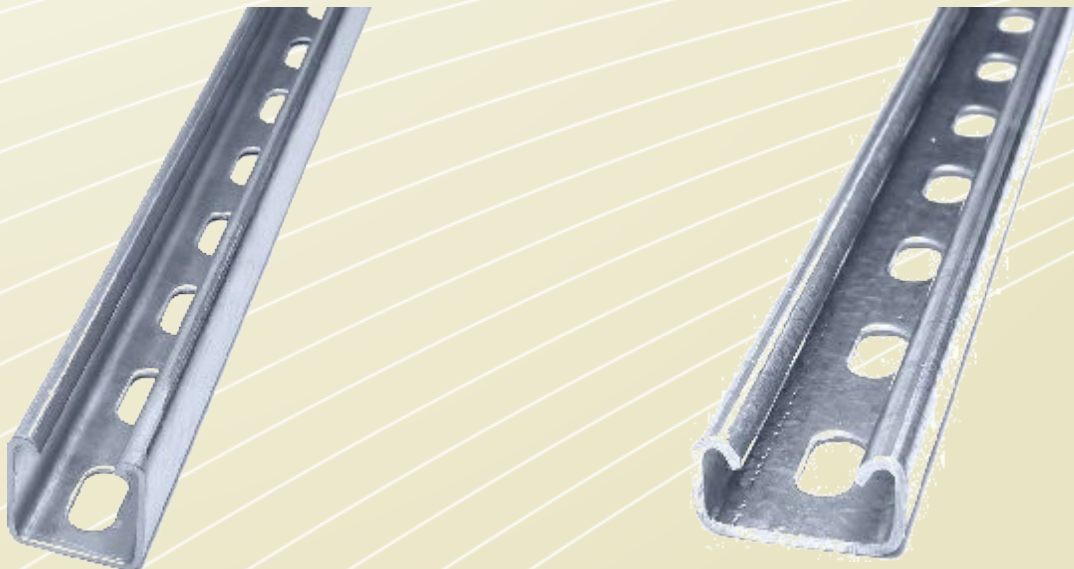
STRUT CHANNEL PRE PUNCHED SLOTS

Our's Slotted Strut Channels provide adjustment for wall mounting, constructing trapeze supports and other suspension and mounting applications.



STRUT CHANNEL SLOTTED

Item Code	Height		Thikness	
	Inch	mm	ga	mm
SCS41/2.5	1 5/8	41.28	12	2.5
SCS41/2	1 5/8	41.28	14	2
SCS41/1.5	1 5/8	41.28	16	1.5
SCS21/2.5	13/16	21.28	12	2.5
SCS21/2	13/16	21.28	14	2
SCS21/1.5	13/16	21.28	16	1.5

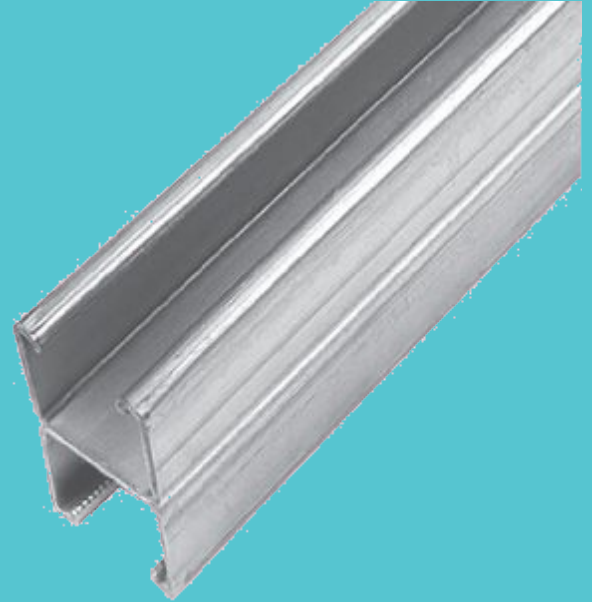
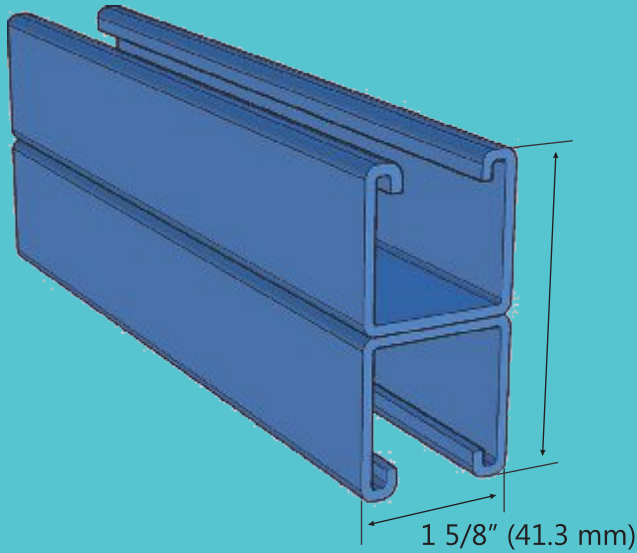


Custom Lengths: single channel strut can be cut to custom lengths at the factory.
Manufacture to BS6946

STRUT CHANNELS

STRUT CHANNEL COMBINATION: BACK-TO-BACK

We offers an extensive range of sizes, gauges and multiple combinations of strut channels. Each channel incorporates a continuous slot along the full length and inturned edges that allow infinite design possibilities and cost effective installations. Standard lengths are 10 feet (3 mtrs) and 20 feet (6 mtrs). Custom lengths are also available.



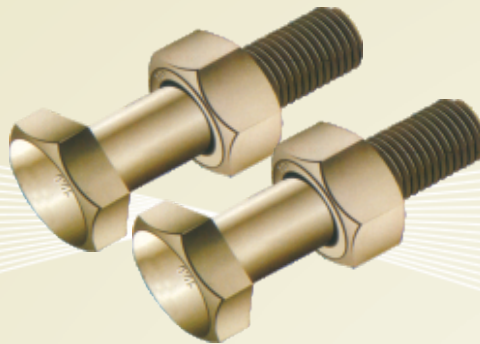
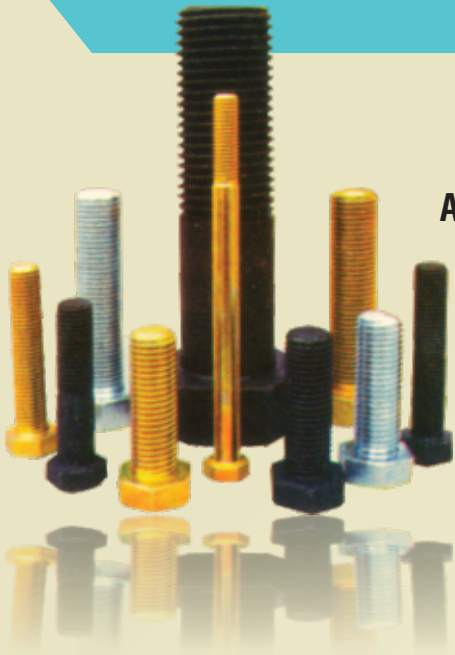
STRUT CHANNEL BACK TO BACK WELDED

Item Code	Height		Thickness	
	Inch	mm	ga	mm
SBB 2.5	3 1/4	82.55	12	2.5
SBB 2	3 1/4	82.55	14	2
SBBS 2.5	3 1/4	82.55	12	2.5
SBBS 2	3 1/4	82.55	14	2



All types of Bolts, Nuts & Fasteners

MS - Hightensile - SS - GI
As per IS - 1363 - 1364 - 1367 - 3757
As per ASTM - A193 - B7 - 2H - A307 - A325
Grades - 4.6 - 8.8 - 10.9
Available with test certificates.



N. C. SHAH & CO.

**Dealers in : Bolts, Nuts, Anchor Fasteners,
Screws and Washers of All types and Makes**

Pankore Naka, Ahmedabad - 380 001.

Phone : (O) 25354598, 25350884 (R) 26621321

Mobile 9427700089 Fax : 25354598

E-mail : ncshah@ncshah.com, mirsha_yh@yahoo.com